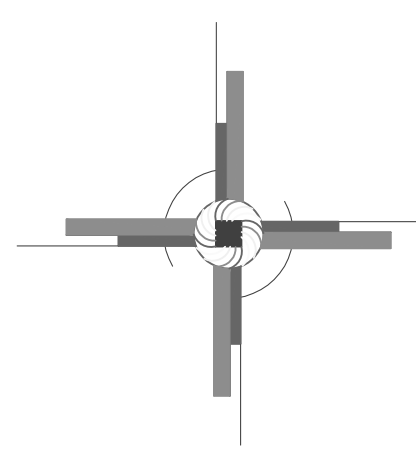


**ELEVATION OF LOTS ALONG
RINCONADA BOULEVARD SOUTH**
SCALE 1"=80'



**Zia Engineering & Environmental
Consultants, Inc.**
755 S. Teishor Blvd., Suite F-201
Las Cruces, New Mexico 88011
Phone: (575) 532-1526
Fax: (575) 532-1587